



Order Number
<input type="text"/>

MADE TO MEASURE  
PRESCRIPTION FORM

RLG02

NAME	HOME ADDRESS
<input type="text"/>	<input type="text"/>
EMAIL	
<input type="text"/>	
PHONE NUMBER	
<input type="text"/>	

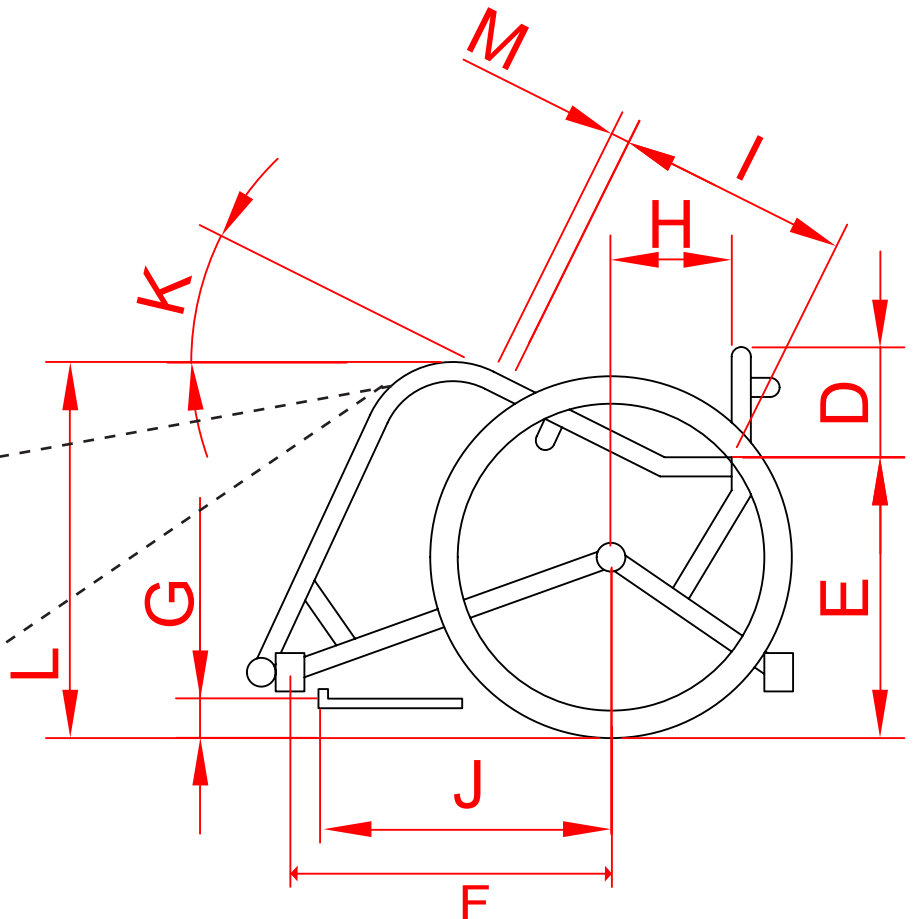
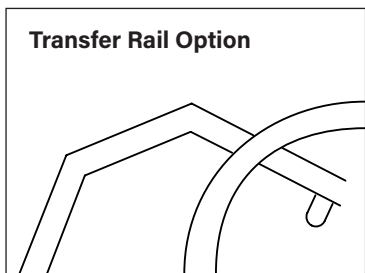
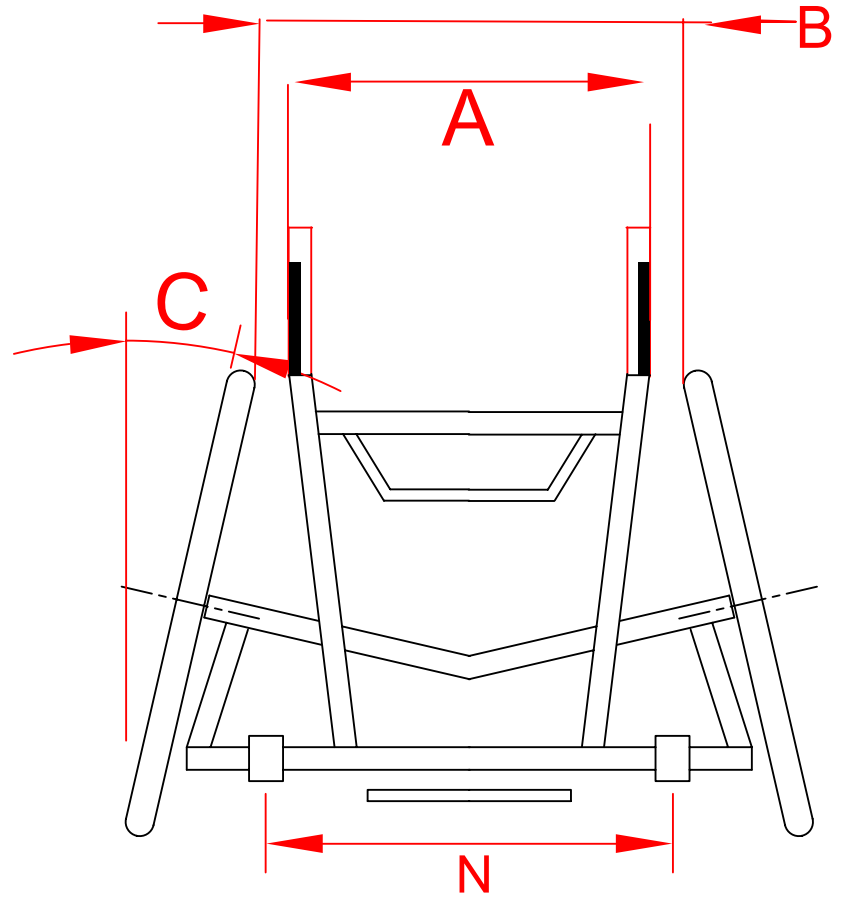




NOTES & DRAWINGS

A large, empty rectangular area with a thin black border, intended for notes and drawings.

A. Seat Width	mm
B. Between Wheels	mm
C. Wheel Camber	°
D. Back Height	mm
E. Seat to Floor	mm
F. Axle to Castor	mm
G. Footrest Height	mm
H. Axle to Backrest	mm
I. Seat Length	mm
J. Axle to Footrest	mm
K. Seat Camber	°
L. Frame Height at Front	mm
M. Seat Cushion To Bend	mm
N. Front Castor Width	mm
Backrest Angle	°



**WHEEL SET UP (Wheels, Tyres, Tubes & Pushrims) (Standard Fittings)**
**WHEELS - 24"**

24" WHEEL OPTIONS	PART NO.	TICK
24" SPINERGY SLX-1R (5/8 AXLE)	SLX-24-24-1R	
24" SPINERGY SLX (1/2 AXLE)	SLX-24-24-111	

**TYRES - 24"**

24" TYRE OPTIONS	PART NO.	TICK
KENDA KONCEPT RED	WH0057	
SCHWALBE (GREY & BLACK)	WH0069	
SCHWALBE (RED & BLACK)	WH0107	
TUFO TUBELESS (upcharge)	WH0119	

**TUBES - 24"**

24" TUBE OPTIONS	PART NO.	TICK
KENDA TUBE	WH0124	
SCHWALBE TUBE	WH0063	
KENDA HEAVY DUTY (upcharge)	WH0061	

**PUSHRIM - 24"**

24" PUSHRIM OPTIONS	PART NO.	TICK
HARD ANODISED	900120H	

24" PUSHRIM OPTIONS	PART NO.	TICK
SET CLOSE		
SET WIDE		

**WHEELS - 25"**

25" WHEEL OPTIONS	PART NO.	TICK
25" SPINERGY SLX -1R (5/8 AXLE)	SLX-25-24-1R	
25" SPINERGY SLX (1/2 AXLE)	SLX-25-24-111	

**TYRES - 25"**

25" TYRE OPTIONS	PART NO.	TICK
KENDA KONCEPT RED	WH0087	
SCHWALBE (GREY & BLACK)	WH0070	
TUFO TUBELESS (upcharge)	WH0126	

**TUBES - 25"**

25" TUBE OPTIONS	PART NO.	TICK
SCHWALBE TUBE	WH0071	

**PUSHRIM - 25"**

25" PUSHRIM OPTIONS	PART NO.	TICK
HARD ANODISED	900130H	

25" PUSHRIM OPTIONS	PART NO.	TICK
SET CLOSE		
SET WIDE		

**WHEEL SET UP (Wheels, tyres, tubes & pushrims) (Upgraded Fittings) (Price on Application)**
**WHEELS - 26"**

26" WHEEL OPTIONS	PART NO.	TICK
26" SPINERGY SLX (upcharge)	SLX-26-24-111	
26" SPINERGY SLX-1R (upcharge)	SLX-26-24-1R	

**TYRES - 26"**

26" TYRE OPTIONS	PART NO.	TICK
KENDA KALIENTE (upcharge)	WH0054	
SCHWALBE (G & B) (upcharge)	WH0109	
TUFO TUBELESS (upcharge)	WH0126	

**TUBES - 26"**

26" TUBE OPTIONS	PART NO.	TICK
SCHWALBE TUBE (upcharge)	WH0062	
KENDA HEAVY DUTY (upcharge)	WH0055	

**PUSHRIM - 26"**

26" PUSHRIM OPTIONS	PART NO.	TICK
HARD ANODISED (upcharge)	900140H	

26" PUSHRIM OPTIONS	PART NO.	TICK
SET CLOSE		
SET WIDE		

## FRAME

SEAT RAKE	PART NO.	TICK
STRAIGHT SEAT		
ERGONOMIC SEAT <i>(upcharge)</i>	RUG/ERGO	

FOOTREST STYLE	PART NO.	TICK
ADJUSTABLE - ALUMINIUM	V050	
FIXED - ALUMINIUM <i>(upcharge)</i>	V051	


ANTI - TIP WHEELS	PART NO.	TICK
FIXED HOUSING	ASSY003	
ADJUSTABLE HOUSING <i>(upcharge)</i>	ASSY004	

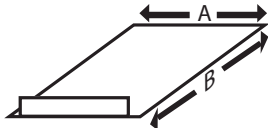
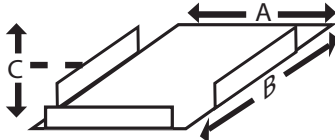
ANTI - TIP WHEELS	PART NO.	TICK
SINGLE ANTI-TIP		
DOUBLE ANTI-TIP <i>(upcharge)</i>	BSK-DAT	

TRANSFER BAR	PART NO.	TICK
NO TRANSFER BAR		
TRANSFER BAR <i>(SEE DIAGRAM)</i>		

FOOTREST ANGLE	PART NO.	TICK
FLAT - 0 degree		
CUSTOM -		

CASTOR WHEELS	PART NO.	TICK
STANDARD - BLACK (72mm)	WH0049	
LABEDA - ORANGE (72mm) <i>(upcharge)</i>	WH0113	
LABEDA - WHITE (72mm) <i>(upcharge)</i>	WH0112	

SIDE GUARD SIZE	TEMPLATE	SIDE GUARD HEIGHT	TICK
MADE TO MEASURE - 3 OPTIONS		TOP OF TYRE	
		TOP OF WHEEL RIM	
		BELOW WHEEL	

FOOTREST PLATE		TICK OPTION OR SPECIFY SIZE (mm)
STANDARD (A - 220mm, B - 258mm) (ALUMINIUM TOE STOPPER)		
NON STANDARD (ALUMINIUM TOE AND SIDE STOPPER) <i>(upcharge)</i>		(A) (B) (C)

## STRAPPING

FOOT STRAPS	PART NO.	TICK
NO FOOTSTRAP		
19" VELCRO FOOT STRAP	UP0074/19	
27" VELCRO FOOT STRAP	UP0074 /27	
35" VELCRO FOOT STRAP	UP0074 /35	
SINGLE RATCHET 6"	RPS-06	
SINGLE RATCHET 8"	RPS-08	
SINGLE RATCHET 10"	RPS-10	
SINGLE RATCHET 12"	RPS-12	

CHEST STRAP	PART NO.	TICK
DOUBLE 12" RATCHET / 13" LADDER	RPS-12-SET	
DOUBLE 16" RATCHET / 13" LADDER	RPS-16-SET	

LAP/HIP STRAPS	PART NO.	TICK
VELCRO HIP STRAP SMALL 19"	RUG/V1	
VELCRO HIP STRAP MEDIUM 27"	RUG/V2	
VELCRO HIP STRAP LARGE 35"	RUG/V3	
DOUBLE 10" RATCHET / 13" LADDER	RPS-10-SET	
DOUBLE 12" RATCHET / 13" LADDER	RPS-12-SET	
DOUBLE 16" RATCHET / 13" LADDER	RPS-16-SET	
SINGLE 12" RATCHET	RPS-12	
SINGLE 16" RATCHET	RPS-16	

LEG STRAPS	PART NO.	TICK
19" VELCRO FOOT STRAP	UP0074 /19	
27" VELCRO FOOT STRAP	UP0074 /27	
35" VELCRO FOOT STRAP	UP0074 /35	

## FRAME COLOUR OPTIONS

FRAME COLOURS (FoC)	PART	COLOUR	TICK
TEXTURED BLACK	FXPE 8005		
MATTE BLACK	9005 M		
GLOSS BLACK	FXPE 7003		
WHITE GLOSS	9016G		
MELOW YELLOW	1028		
COBALT BLUE	5013		
LIGHT GREEN	6027		
RED LILAC	4001		
BLUE LILAC	4005		
TRAFFIC PURPLE	4006		
SKY BLUE	5015		
TRAFFIC BLUE	5017		
RED	3028S		
TRAFFIC RED	3020		
PASTEL BLUE	5024		
YELLOW GLOSS	1017G		
SIGNAL YELLOW	1003		
WATER BLUE	5021		
GREY	7024G		
TELEGRAY	7047		
PASTEL ORANGE	2003		
LIGHT IVORY	1015		

SPECIAL COLOURS	PART	PRICE	COLOUR	TICK
IRIS GREEN	BS12E53	POA		
PANTONE BLUE	274C	POA		
PANTONE GREY 9	PECOOL G 9	POA		
PANTONE RED	186C	POA		
ORIENT RED	3031	POA		
CHROME PAINTED	FXEP6003	POA		
HEATHER VIOLET	PG 4003	POA		
ULTIMATE CANDY RED	FXPE004-9008	POA		
IRIDECENCE LARVA	FXPE000-7007	POA		
IRIDECENCE DREAM	FXPE000-7002	POA		
ULTIMATE CANDY ORANGE	FXPE004-9003	POA		
FLORESCENT YELLOW	FXPE003-4004	POA		
BLACK BRONZE	FXPE000-7008	POA		

.....

GIVE FULL CONSENT FOR RMA SPORT TO PROCEED WITH THE MANUFACTURING OF THIS CHAIR,  
 AGREE TO ALL MEASUREMENTS, UPCHARGES AND ADDITIONAL EXTRAS.  
 ONLY MINIMAL CHANGES ARE POSSIBLE IN THE SECOND FIT. CHARGES MAY APPLY.

SIGNED.....

DATE .....



**RECOMMENDED SPARE PARTS****WHEELS - 24"**

24" WHEEL OPTIONS	PART NO.	TICK
24" SPINERGY SLX-1R (5/8 AXLE)	SLX-24-24-1R	
24" SPINERGY SLX (1/2 AXLE)	SLX-24-24-111	

**TYRES - 24"**

24" TYRE OPTIONS	PART NO.	TICK
KENDA KONCEPT RED	WH0057	
SCHWALBE (GREY & BLACK)	WH0069	
SCHWALBE (RED & BLACK)	WH0107	
TUFO TUBELESS	WH0119	

**TUBES - 24"**

24" TUBE OPTIONS	PART NO.	TICK
SCHWALBE TUBE	WH0063	
KENDA HEAVY DUTY	WH0061	

**PUSHRIM - 24"**

24" PUSHRIM OPTIONS	PART NO.	TICK
BRUSHED SILVER	900120	
HARD ANODISED	900120H	

**WHEELS - 26"**

26" WHEEL OPTIONS	PART NO.	TICK
26" SPINERGY SLX	SLX-26-24-111	
26" SPINERGY SLX-1R	SLX-26-24-1R	

**TYRES - 26"**

26" TYRE OPTIONS	PART NO.	TICK
KENDA KALIENTE	WH0054	
SCHWALBE (GREY & BLACK)	WH0109	
TUFO TUBELESS	WH0126	

**TUBES - 26"**

26" TUBE OPTIONS	PART NO.	TICK
SCHWALBE TUBE	WH0062	
KENDA HEAVY DUTY	WH0055	

**PUSHRIM - 26"**

26" PUSHRIM OPTIONS	PART NO.	TICK
BRUSHED SILVER	900140	
HARD ANODISED	900140H	

**WHEELS - 25"**

25" WHEEL OPTIONS	PART NO.	TICK
25" SPINERGY SLX -1R (5/8 AXLE)	SLX-25-24-1R	
25" SPINERGY SLX (1/2 AXLE)	SLX-25-24-111	

**TYRES - 25"**

25" TYRE OPTIONS	PART NO.	TICK
KENDA KONCEPT RED	WH0087	
SCHWALBE (GREY & BLACK)	WH0070	
TUFO TUBELESS	WH0126	

**TUBES - 25"**

25" TUBE OPTIONS	PART NO.	TICK
SCHWALBE TUBE	WH0071	

**PUSHRIM - 25"**

25" PUSHRIM OPTIONS	PART NO.	TICK
BRUSHED SILVER	900130	
HARD ANODISED	900130H	

CASTOR SET UP	PART NO.	QTY
SHORT STEM CASTOR SET (FRONT)	ASSY008	
LONG STEM CASTOR SET (BACK)	ASSY005	

CASTOR WHEELS	PART NO.	QTY
STANDARD - BLACK (72mm)	WH0049	
LABEDA - ORANGE (72mm)	WH0113	
LABEDA - WHITE (72mm)	WH0112	

FOOT STRAPS	PART NO.	TICK
27" VELCRO FOOT STRAP	UP0074 /27	
35" VELCRO FOOT STRAP	UP0074 /35	
SINGLE RATCHET 6"	RPS-06	
SINGLE RATCHET 8"	RPS-08	
SINGLE RATCHET 10"	RPS-10	
SINGLE RATCHET 12"	RPS-12	

CHEST STRAP	PART NO.	TICK
DOUBLE 12" RATCHET / 13" LADDER	RPS-12-SET	
DOUBLE 16" RATCHET / 13" LADDER	RPS-16-SET	

AXLE SPINDLES	PART NO.	QTY
5/8 SPINERGY SPINDLE (4 BALL)	AXL5/8	

CASTOR WHEEL BEARINGS	PART NO.	QTY
BONES REDS BEARINGS	WH0066	
BONES SUPER BEARINGS	WH0083	

CASTOR HOUSING BEARINGS	PART NO.	QTY
SKF BEARINGS	WH0048	

HIP STRAPS	PART NO.	TICK
VELCRO HIP STRAP	RUG-V2	
DOUBLE 10" RATCHET / 13" LADDER	RPS-10-SET	
DOUBLE 12" RATCHET / 13" LADDER	RPS-12-SET	
DOUBLE 16" RATCHET / 13" LADDER	RPS-16-SET	
SINGLE 12" RATCHET	RPS-12	
SINGLE 16" RATCHET	RPS-16	

LEG STRAPS	PART NO.	TICK
19" VELCRO FOOT STRAP	UP0074 /19	
27" VELCRO FOOT STRAP	UP0074 /27	
35" VELCRO FOOT STRAP	UP0074 /35	