



Order Number

**MADE TO MEASURE
PRESCRIPTION FORM**

RUG03/A

NAME	HOME ADDRESS
EMAIL	
PHONE NUMBER	



Hoop Wing Style - Type 1

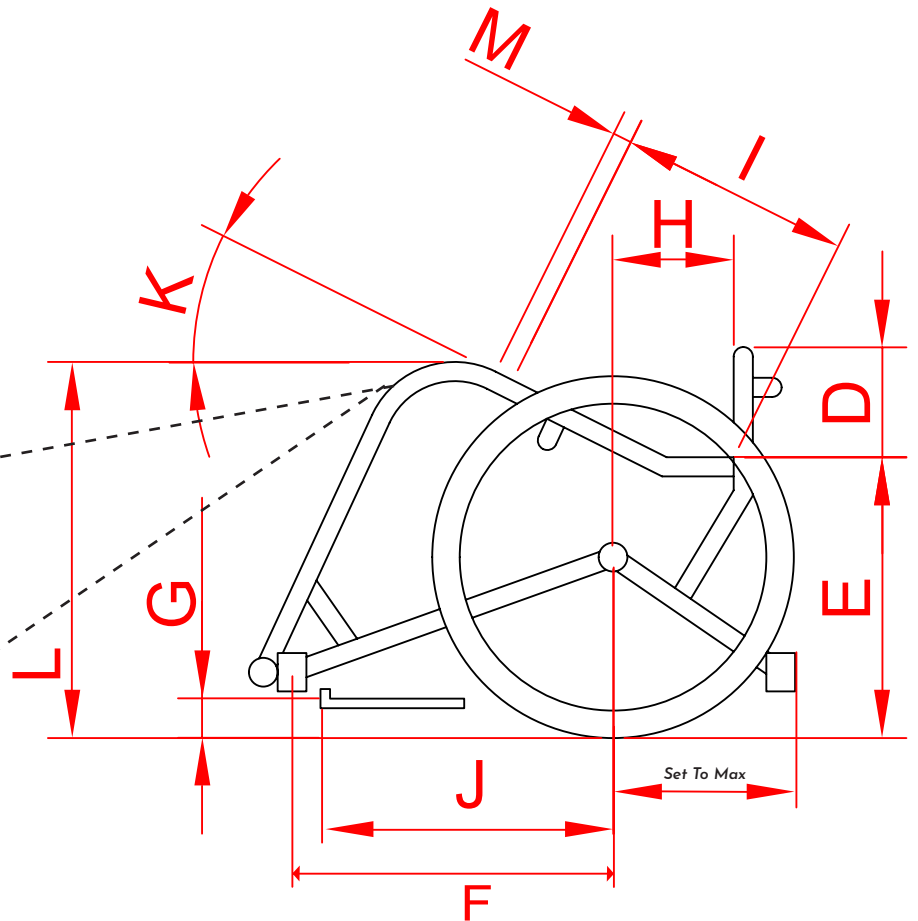
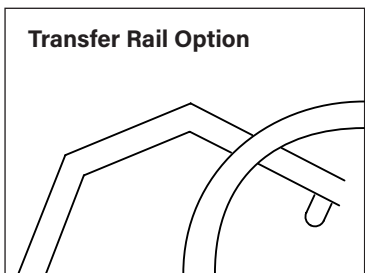
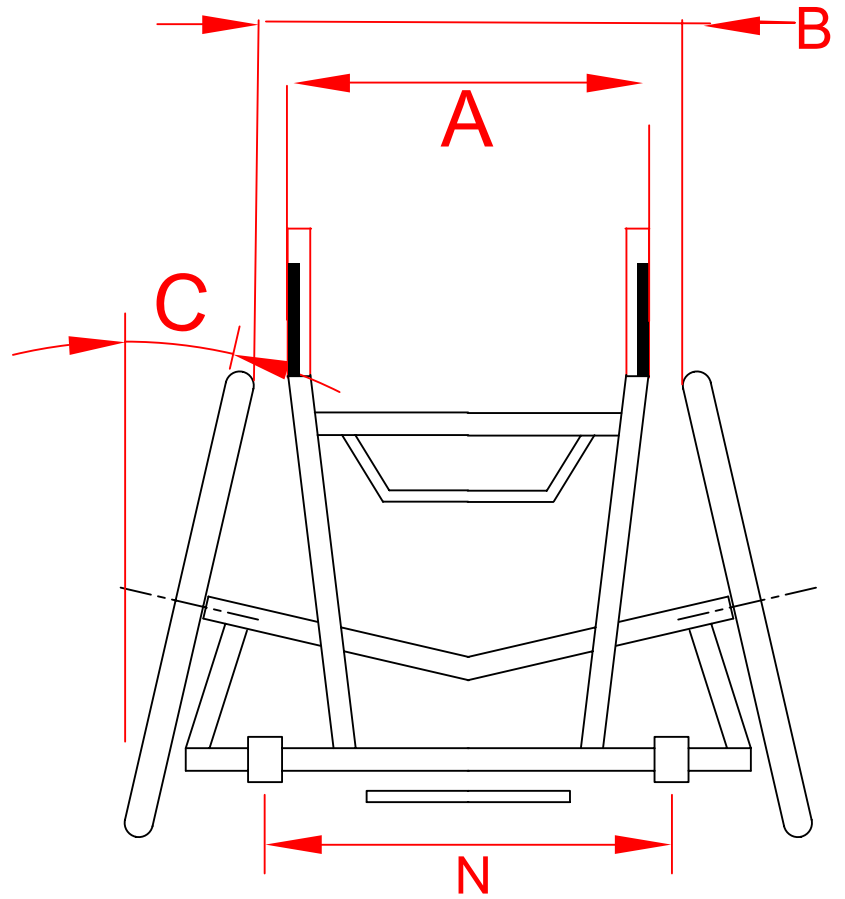
Full Wing Style - Type 2

FRAME MATERIAL	STARTING COST	TICK
ALUMINIUM	£	
GBWR MEMBERSHIP NUMBER:		



NOTES & DRAWINGS

A. Seat Width	mm
B. Between Wheels	mm
C. Wheel Camber	°
D. Back Height	mm
E. Seat to Floor	mm
F. Axle to Castor	mm
G. Footrest Height	mm
H. Axle to Backrest	mm
I. Seat Length	mm
J. Axle to Footrest	mm
K. Seat Camber	°
L. Frame Height at Front	mm
M. Seat Cushion To Bend	mm
N. Front Castor Width (Min 310)	mm
Backrest Angle	°



WHEEL SET UP (Wheels, Tyres, Tubes & Guards)

WHEELS - 24"

24" WHEEL OPTIONS	PART NO.	TICK
24" SPINERGY SLX (5/8 AXLE)	SLX-24-24-1R	

24" SPECIAL ORDER	TICK

TYRES - 24"

24" TYRE OPTIONS	PART NO.	TICK
KENDA KONCEPT RED	WH0057	
SCHWALBE (GREY & BLACK)	WH0069	
SCHWALBE (RED & BLACK)	WH0107	
TUFO TUBELESS (upcharge)	WH0119	

TUBES - 24"

24" TUBE OPTIONS	PART NO.	TICK
KENDA TUBE	WH0124	
SCHWALBE TUBE	WH0063	
KENDA HEAVY DUTY (upcharge)	WH0061	

WHEELGUARDS

24" WHEELGUARDS	PART NO.	TICK
24" FULL PLASTIC GUARD	WG01	
24" SINGLE RIM (upcharge)	WG02	
24" ALUMINIUM RIM (upcharge)	WG02/AL/24	

24" WHEELGUARD COATING	PART NO.	TICK
NO COATING		
RMA SPORT RUBBER COATING		
RMA SPORT WHEEL LOGO	WE0027	
PERSONALISED LOGO (upcharge)	UP0113	

£41.00 Initial set up cost for personal logo
UP0113/GRAPHIC

FRAME

SEAT RAKE	PART NO.	TICK
STRAIGHT SEAT		
ERGONOMIC SEAT (upcharge)	RUG/ERGO	

FOOTREST STYLE	PART NO.	TICK
ADJUSTABLE - ALUMINIUM		
FIXED - ALUMINIUM (upcharge)	/FFR	

ANTI - TIP WHEELS (x2)	PART NO.	TICK
FIXED HOUSING	ASSY003	
ADJUSTABLE HOUSING (upcharge)	ASSY004	

CASTOR WHEELS (x4)	PART NO.	TICK
STANDARD - BLACK (72mm)	WH0049	
LABEDA - ORANGE (72mm) (upcharge)	WH0113	
LABEDA - WHITE (72mm) (upcharge)	WH0112	

WHEELS - 25"

25" WHEEL OPTIONS	PART NO.	TICK
25" SPINERGY SLX (5/8 AXLE)	SLX-25-24-1R	

25" SPECIAL ORDER	TICK

TYRES - 25"

25" TYRE OPTIONS	PART NO.	TICK
KENDA KONCEPT RED	WH0087	
SCHWALBE (GREY & BLACK)	WH0070	
TUFO TUBELESS (upcharge)	WH0126	

TUBES - 25"

25" TUBE OPTIONS	PART NO.	TICK
SCHWALBE TUBE	WH0071	

25" WHEELGUARDS	PART NO.	TICK
25" FULL PLASTIC GUARD + RIM	WG01/25	
25" SINGLE RIM (upcharge)	WG02/25	
25" ALUMINIUM RIM (upcharge)	WG02/AL/25	

25" WHEELGUARD COATING	PART NO.	TICK
NO COATING		
RMA SPORT RUBBER COATING		
RMA SPORT WHEEL LOGO	WE0027	
PERSONALISED LOGO (upcharge)	UP0113	

TRANSFER BAR	PART NO.	TICK
NO TRANSFER BAR		
TRANSFER BAR (SEE DIAGRAM)		


FOOTREST ANGLE	PART NO.	TICK
FLAT - 0 degree		
CUSTOM -		

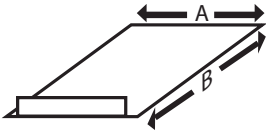
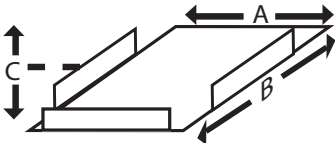
SIDE GUARDS	PART NO.	TICK
FIXED- ALUMINIUM		
LOOP - ALUMINIUM (upcharge)		

WING BUMPERS	PART NO.	TICK
HOOP WING - Type 1	FRAME UPGRADE - HW	
FULL WING - Type 2 (upcharge)	FRAME UPGRADE - FW	

Please see front page to see the different wing designs

BALL HOLDER	PART NO.	TICK
NO HOLDER		
FIXED HOLDER <i>(upcharge)</i>	RUG/BC	
DETACHABLE HOLDER <i>(upcharge)</i>	RUG/BCA	

SIDE GUARD SIZE	TEMPLATE	SIDE GUARD HEIGHT	TICK
MADE TO MEASURE - 3 OPTIONS		TOP OF TYRE	
		TOP OF WHEEL RIM	
		BELOW WHEEL	

FOOTREST PLATE		TICK OPTION OR SPECIFY SIZE (mm)
STANDARD (A - 220mm, B - 258mm) (ALUMINIUM TOE STOPPER)		
NON STANDARD (ALUMINIUM TOE AND SIDE STOPPER) <i>(upcharge)</i>		(A) (B) (C)

STRAPPING

FOOT STRAPS	PART NO.	TICK
NO FOOTSTRAP		
19" VELCRO FOOT STRAP	UP0074/19	
27" VELCRO FOOT STRAP	UP0074 /27	
35" VELCRO FOOT STRAP	UP0074 /35	
SINGLE RATCHET 6"	RPS-06	
SINGLE RATCHET 8"	RPS-08	
SINGLE RATCHET 10"	RPS-10	
SINGLE RATCHET 12"	RPS-12	

CHEST STRAP	PART NO.	TICK
DOUBLE 12" RATCHET / 13" LADDER	RPS-12-SET	
DOUBLE 16" RATCHET / 13" LADDER	RPS-16-SET	

HIP STRAPS	PART NO.	TICK
VELCRO HIP STRAP SMALL 19"	RUG/V1	
VELCRO HIP STRAP MEDIUM 27"	RUG/V2	
VELCRO HIP STRAP LARGE 35"	RUG/V3	
DOUBLE 10" RATCHET / 13" LADDER	RPS-10-SET	
DOUBLE 12" RATCHET / 13" LADDER	RPS-12-SET	
DOUBLE 16" RATCHET / 13" LADDER	RPS-16-SET	
SINGLE 12" RATCHET	RPS-12	
SINGLE 16" RATCHET	RPS-16	

LEG STRAPS	PART NO.	TICK
19" VELCRO FOOT STRAP	UP0074 /19	
27" VELCRO FOOT STRAP	UP0074 /27	
35" VELCRO FOOT STRAP	UP0074 /35	

I.....

GIVE FULL CONSENT FOR RMA SPORT TO PROCEED WITH THE MANUFACTURING OF THIS CHAIR,
 AGREE TO ALL MEASUREMENTS, UPCHARGES AND ADDITIONAL EXTRAS.
 ONLY MINIMAL CHANGES ARE POSSIBLE IN THE SECOND FIT. CHARGES MAY APPLY.

SIGNED.....

DATE



RECOMMENDED SPARE PARTS

WHEELS - 24"

24" WHEEL OPTIONS	PART NO.	QTY
24" SPINERGY SLX (5/8 AXLE)	SLX-24-24-1R	

TYRES - 24"

24" TYRE OPTIONS	PART NO.	QTY
KENDA KONCEPT RED	WH0057	
SCHWALBE (GREY & BLACK)	WH0069	
TUFO TUBELESS	WH0119	

TUBES - 24"

24" TUBE OPTIONS	PART NO.	TICK
KENDA TUBE	WH0124	
SCHWALBE TUBE	WH0063	
KENDA HEAVY DUTY	WH0061	

24" WHEELGUARDS	PART NO.	QTY
24" FULL PLASTIC GUARD	WG01	
24" SINGLE RIM	WG02	
24" ALUMINIUM RIM	WG02/AL/24	

24" WHEELGUARD COATING	PART NO.	TICK
NO COATING	No Part Number	
RMA SPORT RUBBER COATING		
RMA SPORT WHEEL LOGO	WE0027	
PERSONALISED LOGO	UP0113	

£41.00 Initial set up cost for personal logo
UP0113/GRAPHIC

CASTOR SET UP	PART NO.	QTY
SHORT STEM CASTOR (FRONT)	ASSY0121	
LONG STEM CASTOR (BACK)	ASSY011	

CASTOR WHEELS	PART NO.	QTY
STANDARD - BLACK (72mm)	WH0049	
LABEDA - ORANGE (72mm)	WH0113	
LABEDA - WHITE (72mm)	WH0112	

FOOT STRAPS	PART NO.	TICK
NO FOOTSTRAP		
19" VELCRO FOOT STRAP	UP0074/19	
27" VELCRO FOOT STRAP	UP0074 /27	
35" VELCRO FOOT STRAP	UP0074 /35	
SINGLE RATCHET 6"	RPS-06	
SINGLE RATCHET 8"	RPS-08	
SINGLE RATCHET 10"	RPS-10	
SINGLE RATCHET 12"	RPS-12	

CHEST STRAP	PART NO.	TICK
DOUBLE 12" RATCHET / 13" LADDER	RPS-12-SET	
DOUBLE 16" RATCHET / 13" LADDER	RPS-16-SET	

WHEELS - 25"

25" WHEEL OPTIONS	PART NO.	QTY
25" SPINERGY SLX (5/8 AXLE)	SLX-25-24-1R	

TYRES - 25"

25" TYRE OPTIONS	PART NO.	QTY
KENDA KONCEPT RED	WH0087	
SCHWALBE (GREY & BLACK)	WH0070	
TUFO TUBELESS	WH0126	

TUBES - 25"

25" TUBE OPTIONS	PART NO.	TICK
SCHWALBE TUBE	WH0071	

25" WHEELGUARDS	PART NO.	QTY
25" FULL PLASTIC GUARD + RIM	WG01/25	
25" SINGLE RIM	WG02/25	
25" ALUMINIUM RIM	WG02/AL/25	

25" WHEELGUARD COATING	PART NO.	TICK
NO COATING	No Part Number	
RMA SPORT RUBBER COATING		
RMA SPORT WHEEL LOGO	WE0027	
PERSONALISED LOGO	UP0113	

AXLE SPINDLES	PART NO.	QTY
5/8 SPINERGY SPINDLE (4 BALL)	AXL5/8	

CASTOR WHEEL BEARINGS	PART NO.	QTY
BONES REDS BEARINGS	WH0066	
BONES SUPER BEARINGS	WH0083	

CASTOR HOUSING BEARINGS	PART NO.	QTY
SKF BEARINGS	WH0048	

WHEEL BAG - 2 WHEELS	PART NO.	QTY
RMA SPORT WHEEL BAG	UP0105	

HIP STRAPS	PART NO.	TICK
VELCRO HIP STRAP SMALL 19"	RUG/V1	
VELCRO HIP STRAP MEDIUM 27"	RUG/V2	
VELCRO HIP STRAP LARGE 35"	RUG/V3	
DOUBLE 10" RATCHET / 13" LADDER	RPS-10-SET	
DOUBLE 12" RATCHET / 13" LADDER	RPS-12-SET	
DOUBLE 16" RATCHET / 13" LADDER	RPS-16-SET	
SINGLE 12" RATCHET	RPS-12	
SINGLE 16" RATCHET	RPS-16	

LEG STRAPS	PART NO.	TICK
19" VELCRO FOOT STRAP	UP0074 /19	
27" VELCRO FOOT STRAP	UP0074 /27	
35" VELCRO FOOT STRAP	UP0074 /35	

