



# RUG03/A

## CUSTOM PRESCRIPTION FORM RUGBY ATTACK

### Athlete's Contact Details

Full Name	
<input type="text"/>	
Phone Number	Fitting Date
<input type="text"/>	<input type="text"/>
Email Address	
<input type="text"/>	
Home Address	
<input type="text"/>	

\*\* If the chair is to be fully / part funded by a charity of your choice can you please make Roma Sport aware of this\*\*

### Charity Contact Details

Charity Name
<input type="text"/>
Contact Name
<input type="text"/>
Phone Number
<input type="text"/>
Email Address
<input type="text"/>

### Agent Contact Details

Full Name
<input type="text"/>
Phone Number
<input type="text"/>
Email Address
<input type="text"/>
Account Number
<input type="text"/>

### Invoice Address

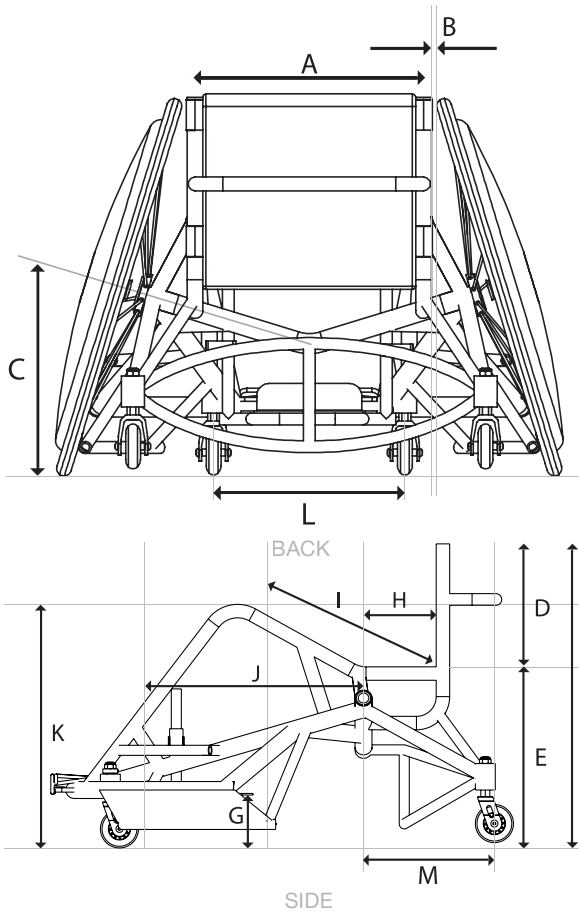
Full Name
<input type="text"/>
Address
<input type="text"/>
Post Code
<input type="text"/>

### Delivery Address

Full Name
<input type="text"/>
Address
<input type="text"/>
Post Code
<input type="text"/>

### GBWR Membership Number

Membership Number (Please leave blank if not applicable)
<input type="text"/>



FRAME DIMENSIONS	DIAGRAM KEY	mm
SEAT WIDTH BETWEEN ARMS	A	
WHEEL SIDE GUARD CLEARANCE	B	
BACKREST HEIGHT	D	
REAR SEAT HEIGHT WITHOUT CUSHION	E	
BACKREST HEIGHT FROM FLOOR	F	
FOOTREST HEIGHT FROM FLOOR	G	
AXLE POSITION FROM BACKREST	H	
SEAT DEPTH	I	
MAIN AXLE TUBE TO FRONT OF FOOTREST (DISTANCE TO AXLE TUBE)	J	
SEAT CHAMBER	K	

WHEEL CAMBER	DIAGRAM KEY	PRICE	TICK OPTION
16 DEGREES (TPO 347)	C	NO CHARGE	
17 DEGREES (TPO 348)		NO CHARGE	
18 DEGREES (TPO 349)		NO CHARGE	
NON STANDARD			

WING OPTIONS	TICK OPTION
SINGLE	
DOUBLE	

REAR ANTI-TIPPERS	TICK OPTION
DOUBLE	

SEAT BASE	TICK OPTION
CANVAS	

FOOTREST ANGLE	PRICE	TICK OPTION
0 DEGREES	NO CHARGE	
2 DEGREES	NO CHARGE	
3 DEGREES	NO CHARGE	
NON STANDARD		

BACKREST ANGLE OPTIONS	PRICE	TICK OPTION
0 DEGREES (H)	NO CHARGE	
NON STANDARD		

FRAME COLOUR	PRICE	TICK OPTION
RAW ALUMINIUM	NO CHARGE	
NON-STANDARD COLOURED		

FRONT CASTOR POSITION	DIAGRAM KEY	TICK OPTION
FIXED 265mm	L	
NON STANDARD		

MAIN AXLE TUBE TO REAR ANTI-TIP CASTOR	DIAGRAM KEY	TICK OPTION
FIXED 235mm	M	
NON STANDARD		

FOOTREST	TICK OPTION
FIXED	
ADJUSTABLE	

SEAT RAKE	TICK OPTION
STRAIGHT (HORIZONTAL)	
ERGO (ANGLED)	

FOOTREST PLATE		PRICE	TICK OPTION OR SPECIFY SIZE (mm)
STANDARD (A - 220mm, B - 258mm) (ALUMINIUM TOE STOPPER)		NO CHARGE	
NON STANDARD (ALUMINIUM TOE AND SIDE STOPPER)			(A) (B) (C)

SIDE GUARD SIZE		PRICE	TICK OPTION OR SPECIFY SIZE (mm)
STANDARD (A - 330mm, B - 190mm) (PAIR)		NO CHARGE	
NON STANDARD (PAIR)			(A) (B)

## SPINERGY & CASTORS (SOLD IN PAIRS)

PRODUCT	PART NO.	QTY
24" SPINERGY LIGHT EXTREME	SLX-24-24-1R	
25" SPINERGY LIGHT EXTREME	SLX-25-24-1R	
72MM SMALL CASTOR WITH PLASTIC CORE	WH0049	

## STRAPPINGS

PRODUCT	PART NO.	QTY
PADDED RATCHET STRAP 10"	RPS-10	
PADDED RATCHET STRAP 16"	RPS-16	
PADDED RATCHET STRAP 20"	RPS-20	
BASKETBALL WAIST STRAP (75mm x 1.2mtr)	UP0101	
BASKETBALL WAIST STRAP (100mm x 1.2mtr)	UP0102	
RUGBY CHEST STRAP (66"x7")	UP0110	
RUGBY CHEST STRAP (54"x5")	UP0115	
RUGBY CHEST STRAP (54"x7")	UP0116	
RUGBY CHEST STRAP 66"x5")	UP0117	
35" SINGLE LOOP LAP/ FOOT STRAP	UP0074	
19" VELCRO STRAP	UP0075	
32" BACK STRAPS	UP0093	
21" BACK STRAPS	UP0093/S	
REAR TUBE PROTECTOR	UP0080	
VELCRO LAP STRAP	RUG/V2 (UP0074 & UP0075)	

## TYRES (SOLD IN PAIRS)

PRODUCT	COLOUR	PART NO.	IMAGE	QTY
24" KENDA KONCEPT	RED	WH0057		
25" KENDA KONCEPT	GREY	WH0053		
25" KENDA KONCEPT	BLACK	WH0059		
24" KENDA KONTENDER	BLACK	WH0064		
24" SCHWALBE RIGHTRUN	GREY / BLACK	WH0069		
25" SCHWALBE RIGHTRUN	GREY / BLACK	WH0070		
24" SCHWALBE K GUARD RIGHTRUN	BLACK N ROLL RED STRIP	WH0081		

## MISC.

PRODUCT	PART NO.	QTY	PRODUCT	PART NO.	QTY
SCHWALBE TYRE LEVER (Blue)	1338		WHEEL STENCIL (PAIR)	WE0027	
BALL CATCHER	RUG/BC		CUSTOMERS NAME ON FRAME	MC0124	
WHEEL CARRIER 24" & 25"	UP0105		BACKREST LOGO TRANSFER	MC0182	

## INNER TUBES (SOLD IN PAIRS)

PRODUCT	PART NO.	QTY
24" KENDA TUBE	WH0061	
25" KENDA TUBE	WH0060	
24" SHWALBE TUBE	WH0063	
25" SHWALBE TUBE	WH0071	

## WHEELGUARDS (SOLD IN PAIRS)

PRODUCT	PART NO.	QTY
24" ALUMINIUM RIM	WG02/AL	
24" FULL RIM	WG01	
24" SINGLE RIM	WG02	
25" ALUMINIUM RIM	WG02/AL/25	
25" FULL RIM	WG01/25	

## BUMPERS

PRODUCT	PART NO.	QTY
DEFENSE BUMPER	RUG/AC1	
ATTACK BUMPER	RUG/AC2	

## BEARINGS (SOLD IN PAIRS)

PRODUCT	PART NO.	QTY
6001-2Z LARGE BEARING	WH0048	
BONES RED BEARINGS	WH0066	

## AXLE & FORKS (SOLD IN PAIRS)

PRODUCT	PART NO.	QTY
5/8" QR AXLES	AXL5/8	
BLACK ANODISED CASTOR FORK	QXWF-02	