



# BSK 02

## CUSTOM PRESCRIPTION BASKETBALL CHAIR

### Athlete's Contact Details

Full Name	
<input type="text"/>	
Phone Number	Fitting Date
<input type="text"/>	<input type="text"/>
Email Address	
<input type="text"/>	
Home Address	
<input type="text"/>	

The customer is aware of the conditions of sale specific to the wheelchair made to measure available by Roma Sport. The order is validated by the customer once the agreement sent by e-mail and payment of the deposit of at least 30% of the total sum of the invoice. Roma Sport offers a retraction period of 3 working days.

Delivery time is fixed at the time of the order. Any price offer is valid for a period of 3 months.

Invoice 6%

The chair will remain the property of Roma Sport until full payment is made. You are purchasing a made to measure Basketball chair made with the highest quality grade aluminium and component parts, the chair will be fitted with a 72mm front castor wheels as standard and we offer a warranty of 1 year for any breakage to the frame and this does not include any removable parts.

RomaSport will not be held responsible for any measurements taken by the distributor/ agent.

**\*\* If the chair is to be fully / part funded by a charity of your choice can you please make Roma Sport aware of this\*\***

### Charity Contact Details

Charity Name
<input type="text"/>
Contact Name
<input type="text"/>
Phone Number
<input type="text"/>
Email Address
<input type="text"/>

### Agent Contact Details

Full Name
<input type="text"/>
Phone Number
<input type="text"/>
Email Address
<input type="text"/>
Account Number
<input type="text"/>

### Invoice Address

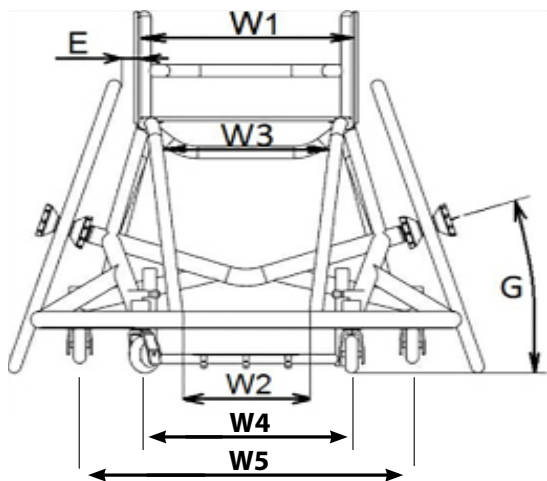
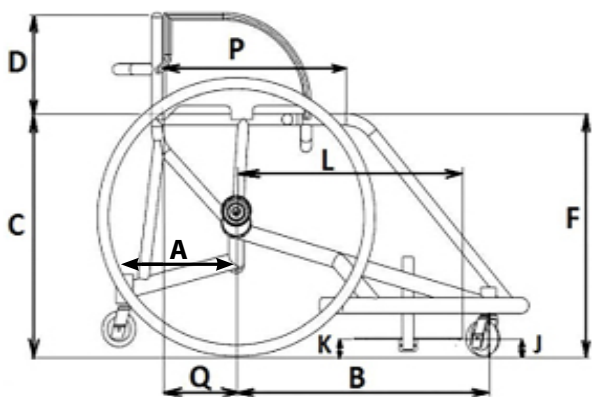
Full Name
<input type="text"/>
Address
<input type="text"/>
Post Code
<input type="text"/>

### Delivery Address

Full Name
<input type="text"/>
Address
<input type="text"/>
Post Code
<input type="text"/>

### CLASSIFICATION RULES

The maximum height of the seat with or without cushion is:  
 63cm for a player between 1.0 and 3.0  
 58cm for a player between 3.5 and 4.5



FRAME DIMENSIONS	DIAGRAM KEY	mm
SEAT WIDTH BETWEEN ARMS	W1	
SEAT DEPTH	P	
AXLE POSITION FROM BACKREST	Q	
FRONT SEAT HEIGHT WITHOUT CUSHION	F	
REAR SEAT HEIGHT WITHOUT CUSHION	C	
WHEEL SIDE GUARD CLEARANCE	E	
BACKREST HEIGHT	D	
MAIN AXLE TUBE TO FRONT FOOTREST DISTANCE TO AXLE TUBE	L	
MAIN AXLE TUBE TO CASTOR	B	
FRONT FRAME WIDTH TOP	W3	
FRONT FRAME WIDTH BOTTOM	W2	
WIDTH BETWEEN REAR ANTI-TIPPERS	W5	

FRONT CASTOR POSITION	DIAGRAM KEY	PRICE	TICK OPTION
FIXED 280mm	W4	NO CHARGE	
NON STANDARD			

MAIN AXLE TUBE TO REAR ANTI-TIP CASTOR	DIAGRAM KEY	PRICE	TICK OPTION
FIXED 250mm	A	NO CHARGE	
NON STANDARD			

WHEEL CAMBER	DIAGRAM KEY	PRICE	TICK OPTION
16 DEGREES (TPO 347)	G	NO CHARGE	
17 DEGREES (TPO 348)		NO CHARGE	
18 DEGREES (TPO 349)		NO CHARGE	
NON STANDARD			

WHEEL OPTIONS	PRICE	TICK OPTION
24" SPINERGY / SLX-24-24-111 (1/2")	Included	
24" SPINERGY / SLX-24-24-1R (5/8")	Included	
25" SPINERGY / SLX-25-24-111 (1/2")		
25" SPINERGY / SLX-25-24-1R (5/8")		
26" SPINERGY / SLX-26-24-111 (PAIR)		
700C SPINERGY / SLX-700-24-111 (PAIR)		

SEAT RAKE	PRICE	TICK OPTION
STRAIGHT (HORIZONTAL)	NO CHARGE	
ERGO (ANGLED)		

FRAME COLOUR	PRICE	TICK OPTION
RAW ALUMINIUM	NO CHARGE	
WHITE, BLACK, BLUE, RED, GREEN, ETC	NO CHARGE	
NON-STANDARD		

FOOTREST	PRICE	TICK OPTION
FIXED	NO CHARGE	
ADJUSTABLE		

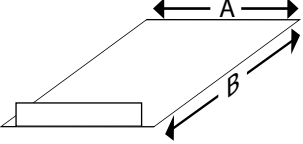
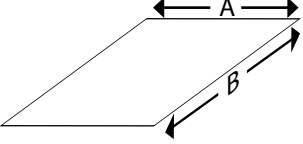
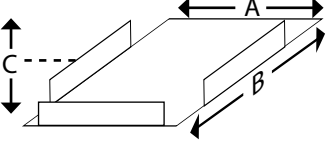
WING OPTIONS	PRICE	TICK OPTION
OPEN	NO CHARGE	
HOOK		

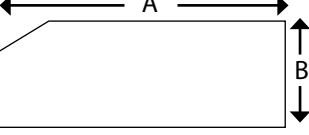
REAR ANTI-TIPPERS	PRICE	TICK OPTION
SINGLE	NO CHARGE	
DOUBLE		



SEAT BASE	PRICE	TICK OPTION
CANVAS	NO CHARGE	
ALUMINIUM		

FOOTREST ANGLE	PRICE	TICK OPTION
0 DEGREES	NO CHARGE	
2 DEGREES	NO CHARGE	
3 DEGREES	NO CHARGE	
NON STANDARD		

BACKREST ANGLE OPTIONS	PRICE	TICK OPTION
0 DEGREES	NO CHARGE	
2 DEGREES	NO CHARGE	
3 DEGREES	NO CHARGE	
NON STANDARD		

FOOTREST PLATE		PRICE	TICK OPTION OR SPECIFY SIZE (mm)
STANDARD (A - 220mm, B - 258mm) (ALUMINIUM TOE STOPPER)		NO CHARGE	
NON STANDARD (ALUMINIUM FOOTPLATE)			(A)
			(B)
NON STANDARD (ALUMINIUM TOE AND SIDE STOPPER)			(A)
			(B)
			(C)

SIDE GUARD SIZE		PRICE	TICK OPTION OR SPECIFY SIZE (mm)
STANDARD (A - 330mm, B - 190mm) (PAIR)		NO CHARGE	
NON STANDARD (PAIR)			(A)
			(B)

TYRE OPTION	PRICE	IMAGE	TICK OPTION
WH0057 - 24" KENDA KONCEPT TYRE RED	NO CHARGE		
WH0053 - 25" KENDA KONCEPT TYRE RED			
WH0064 24" RIGHTRUN BLACK / GREY	NO CHARGE		
WH0070 - 25" RIGHTRUN BLACK / GREY			
WH0081 - 24" (RED/BLACK)			
WH0054 26" KENDA KALIENTE GREY/BLACK	NO CHARGE		
WH0065 700C KENDA KALIENTE RED	NO CHARGE		




PUSHRIM OPTION	PRICE	SIZE	TICK OPTION
900120H - 24", 6 TAB HARD ANODISED (PAIR)	NO CHARGE	24"	
PRS24S - 24", 6 TAB STAINLESS STEEL (PAIR)		24"	
900130H - 25", 6 TAB HARD ANODISE (PAIR)	NO CHARGE	25"	
PRS25S - 25", 6 TAB S/STEEL (1-2 WEEKS DELIVERY) (PAIR)		25"	
900140H - 26", 6 TAB HARD ANODISED (1-2 WEEKS DELIVERY) (PAIR)	NO CHARGE	26"	
PRS26S - 26", 6 TAB S/STEEL (1-2 WEEKS DELIVERY) (PAIR)		26"	
700C - 900150H - 700C, 12 TAB HARD ANODISED (PAIR)	NO CHARGE	700 mm	
700C", 6 TAB S/STEEL (6 WEEKS DELIVERY) (PAIR)		700 mm	
SEAT CUSHION 2" (50mm)	NO CHARGE	50mm	
SEAT CUSHION - HARD 2" (50MM)		50mm	

## SPARE PARTS

WHEELS	IMAGE	PRICE	QTY
24"SPINERGY SLX-24-24-1R			
25" SPINERGY SLX-25-24-1R			
26" SPINERGY SLX-26-24-111			
700C SPINERGY SLX-700-24-111			
WH0049 – 72MM SMALL CASTOR WITH PLASIC CORE			

TYRES & PUSHRIMS	IMAGE	PRICE	QTY
WH0057 24" KENDA KONCEPT TYRE RED			
WH0064 24" RIGHTRUN BLACK / GREY			
WH0054 26" KENDA KALIENTE GREY / BLACK			
WH0081 24" K GUARD RIGHTRUN BLACK N ROLL RED STRIP			
900130H 25" 6Tab Hard Anodised			
PRS25 - 25" 6Tab s/steel			
900140H 26" 6Tab Hard Anodised			
PRS26S - 26" 6Tab s/steel			
900150H – 700C 12Tab Hard Anodised			
PRS700S - 700C" 6Tab s/steel			

INNER TUBES	PRICE	QTY
WH0061 - 24" Kenda tubes		
WH0063 - 24" Schwalbe tube		
WH0060 - 25" Kenda tube		
WH0071 - 25" Schwalbe tube		
WH0062 – 26 Schwalbe tube		
WH0082 – 700c		

OPTIONAL EXTRAS	IMAGE	PRICE	QTY
UP0105 – 24" & 25" WHEEL CARRIER			
1388 - TYRE LEVER SET			
AXL 5/8" – 5/8" QR AXLE			
AXL 1/2" – 1/2" QR AXLE			

STRAPS	IMAGE	PRICE	QTY
UP0074 – 35" SINGLE LOOP FOOT & KNEE STRAP			
UP0075 – 19" DOUBLE LOOP FOOT STRAP			
RPS-10" – 10" PADDED RATCHET STRAP			
RPS-16" – 16" PADDED RATCHET STRAP			
RPS-20" – 20" PADDED RATCHET STRAP			
UP0101 - 75MM X 1.2MTR BASKETBALL WAIST/ CHEST STRAP			
UP0102 - 100MM X 1.2MTR BASKETBALL WAIST STRAP			
UP0115 - RUGBY & BASKETBALL CHEST STRAP (54" X 5")			
UP0116 - RUGBY & BASKETBALL CHEST STRAP (54" X 7")			
UP0117 - RUGBY & BASKETBALL CHEST STRAP (66" X 5")			
UP0110 - RUGBY & BASKETBALL CHEST STRAP (66" X 7")			

### SPECIAL REQUIREMENTS