

Date

Name & Address

Phone

Email

Delivery Details

Frame S/Number

TO ORDER - Please complete the frame dimensions and features.

Wheel Size 24" - Full Rim/Guards

G. Backrest Height from Floor 655mm

A. Seat Width 380 / 410 / 430 / 460 / 480

H. Footrest Height from Floor ADJ

B. Clearance Between Guard and Wheel STD

I. Seat Length (Cushion) 400mm

C. Footrest Width 220mm

J. Footrest Position from Axle ADJ

D. Wheel Camber 18°

K. Backrest Angle 0°

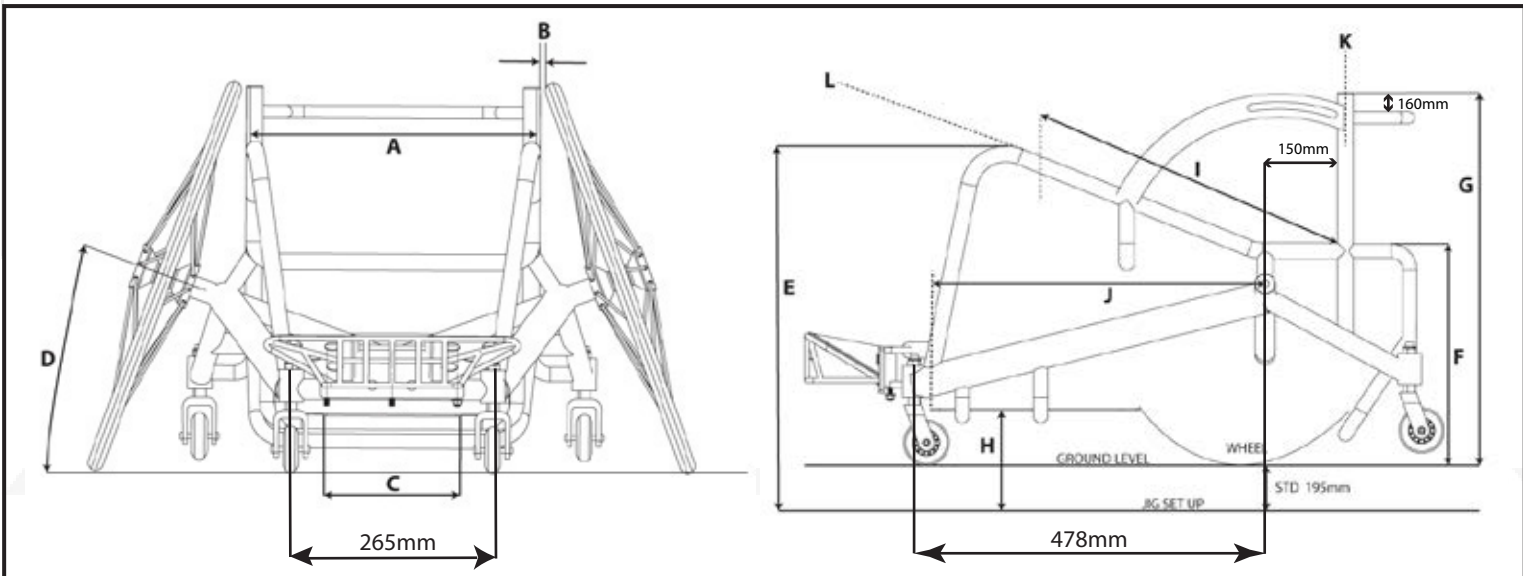
F. Seat to Floor (Rear) 350mm

L. Seat Camber 30°

Plastic Rear Skirt

Sock Height 160mm

Double Front Skirt



Cont.

Payable (£)

| | | |
|--|--|---|
| Adjustable Backrest Sling | | |
| Lap Strap (Velcro Webbing) | | |
| Lap Strap (Ratchet) 12-16-20 | | £ |
| Foot Strap (Velcro Webbing) | | |
| Foot Strap (Ratchet) | | £ |
| Spare Spinegy Wheel & Guard (Plain) | | £ |
| Spare Spinegy Wheel & Guard (Pushrim) | | £ |
| 5/8" Axle | | £ |
| Kenda Tyre | | £ |
| Schwalbe Tyre | | £ |
| Kenda Heavy Duty Innertube | | £ |
| Schwalbe Innertube | | £ |
| Neoprene Chest Strap | | £ |
| Ball Catcher | | £ |

Notes