

Date

Name & Address

Phone

Email

Delivery Details

Frame S/Number

TO ORDER - Please complete the frame dimensions and features.

Wheel Size 24" - Full Rim/Guards

A. Seat Width 380 / 410 / 430 / 460 / 480

B. Clearance Between Guard and Wheel STD

C. Footrest Width 220mm

D. Wheel Camber 18°

F. Seat to Floor (Rear) 350mm

Plastic Rear Skirt

Double Front Skirt

G. Backrest Height from Floor 655mm

H. Footrest Height from Floor ADJ

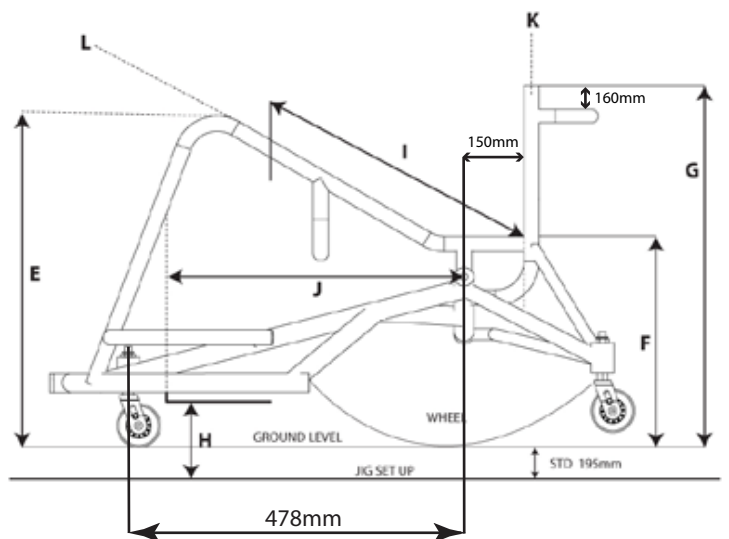
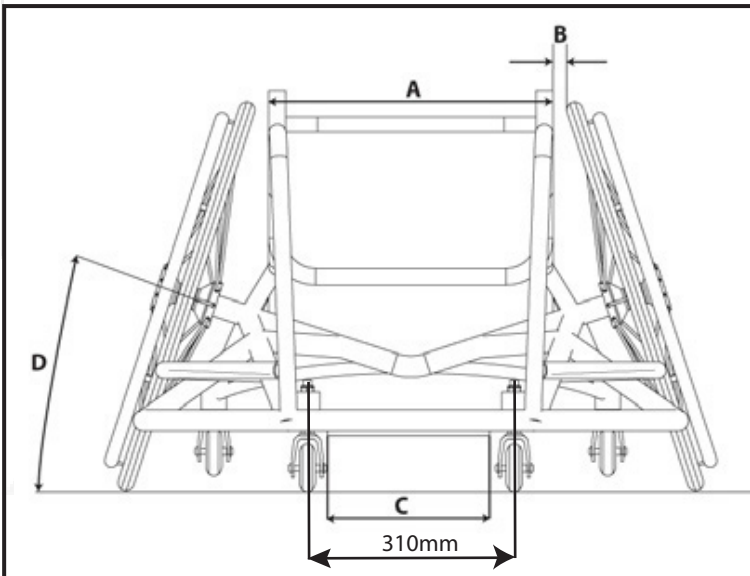
I. Seat Length (Cushion) 400mm

J. Footrest Position from Axle ADJ

K. Backrest Angle 0°

L. Seat Camber 30°

Sock Height 160mm



Cont.

Payable (£)

Adjustable Backrest Sling		
Lap Strap (Velcro Webbing)		
Lap Strap (Ratchet) 12-16-20		£
Foot Strap (Velcro Webbing)		
Foot Strap (Ratchet)		£
Spare Spinegy Wheel & Guard (Plain)		£
Spare Spinegy Wheel & Guard (Pushrim)		£
5/8" Axle		£
Kenda Tyre		£
Schwalbe Tyre		£
Kenda Heavy Duty Innertube		£
Schwalbe Innertube		£
Neoprene Chest Strap		£
Ball Catcher		£

Notes