

Date

Name & Address

Phone

Email

TO ORDER *Fill in the frame dimentions and features requirements for variations.*

Wheel Size 24" 25" 26" / Smooth Textured

Wheel Rim Type Full Single Double

A. Seat Width Between Arms

B. Clearance Between Guard and Wheel

C. Footrest Width

D. Wheel Camber

Customer Notes

Delivery Details

Frame S/Number

E. Seat to Floor (Front)

F. Seat to Floor (Rear)

G. Backrest Height from Floor

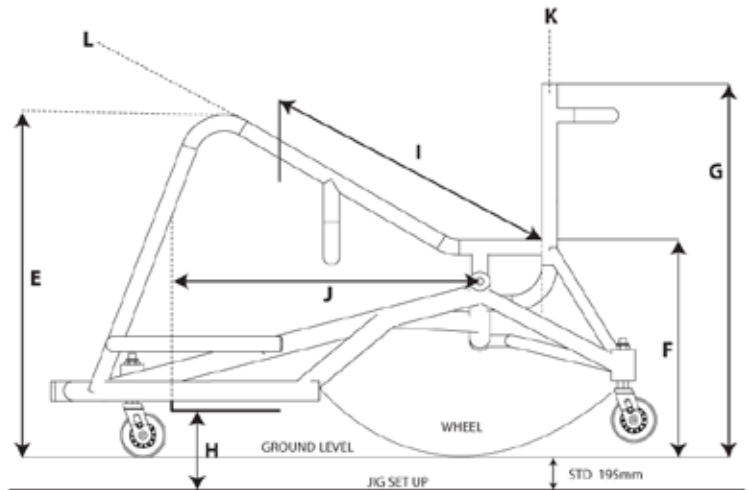
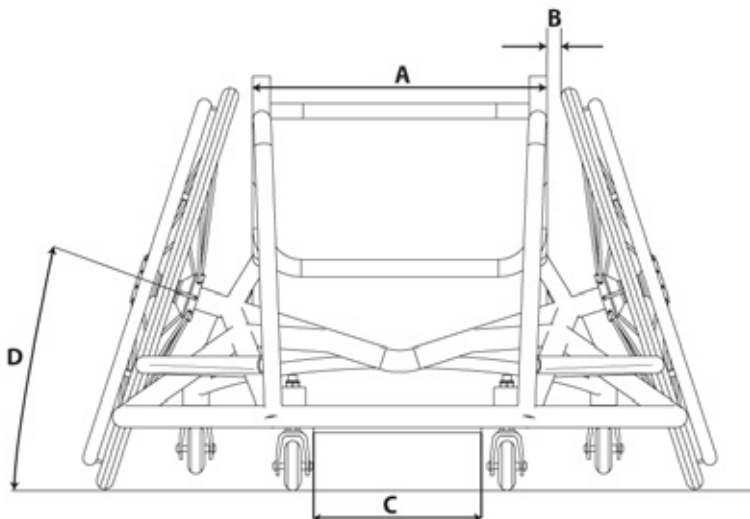
H. Footrest Height from Floor

I. Seat Length (Cushion)

J. Footrest Position from Axle

K. Backrest Angle

L. Seat Camber



Cont.

Payable (£)

Adjustable Backrest Sling		
Lap Strap (Velcro Webbing)		
Lap Strap (Ratchet) 12-16-20		£
Foot Strap (Velcro Webbing)		
Foot Strap (Ratchet)		£
Spare Spinegy Wheel & Guard (Plain)		£
Spare Spinegy Wheel & Guard (Pushrim)		£
5/8" Axle		£
Kenda Tyre		£
Schwalbe Tyre		£
Kenda Heavy Duty Innertube		£
Schwalbe Innertube		£
Neoprene Chest Strap		£
Ball Catcher		£

Notes